

ICBID-30FI



FEATURES

Ready to be fitted with custom panels and handles to blend with cabinetry

Automatic ice maker with "max ice" feature

Smart-touch controls for streamlined access to more settings

Soft-close doors and drawers

Soft-on LED lights for varying degrees of brightness

ACCESSORIES

Dual installation kits

Reduced toe kick divider for toe kicks from 5 cm to 10 cm

Stainless steel front panels with tubular or pro handles

Stainless Steel Pro Handles

Stainless Steel Tubular Handles

Accessories are available through an authorized dealer.
For local dealer information, visit subzero-wolf.com/locator.



PRODUCT DETAILS

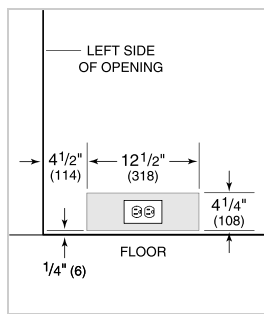
FREEZER

- Automatic ice maker
- Removable ice container
- Adjustable drawer dividers

PRODUCT SPECIFICATIONS

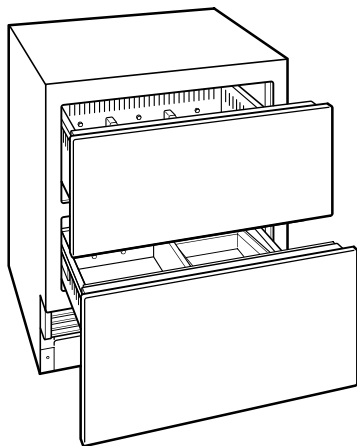
Model	ICBID-30FI
Dimensions	762mmW x 876mmH x 610mmD
Drawer Clearance	610mm
Weight	95 kg
Freezer Gross Capacity	145 L
Freezer Storage Capacity	101 L
Electrical Supply	220-240 VAC; 50/60 Hz
Electrical Service	≤ 2 A
Receptacle	3-prong grounding-type

ELECTRICAL



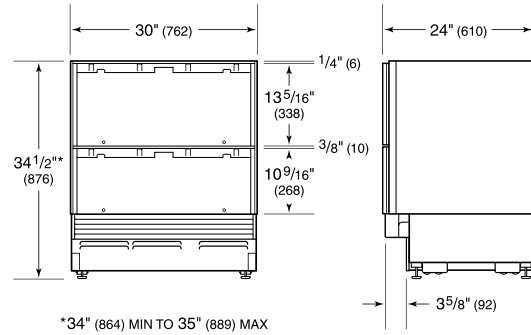
NOTE: Dimensions in parenthesis are in millimeters unless otherwise specified

INTERIOR VIEW

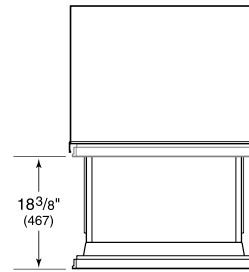


This illustration is intended for interior reference only and may not represent the exterior of the model being specified.

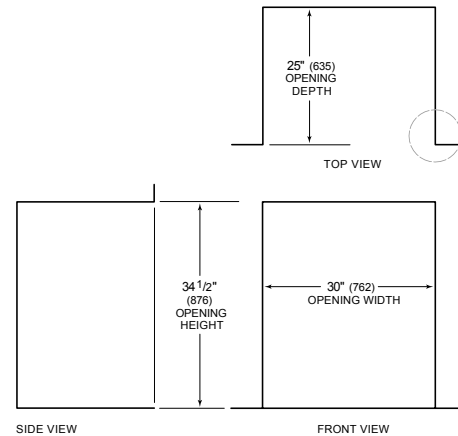
DIMENSIONS



*34" (864) MIN TO 35" (889) MAX



STANDARD INSTALLATION



NOTE: 3 1/2" (89) finished returns will be visible and should be finished to match cabinetry

